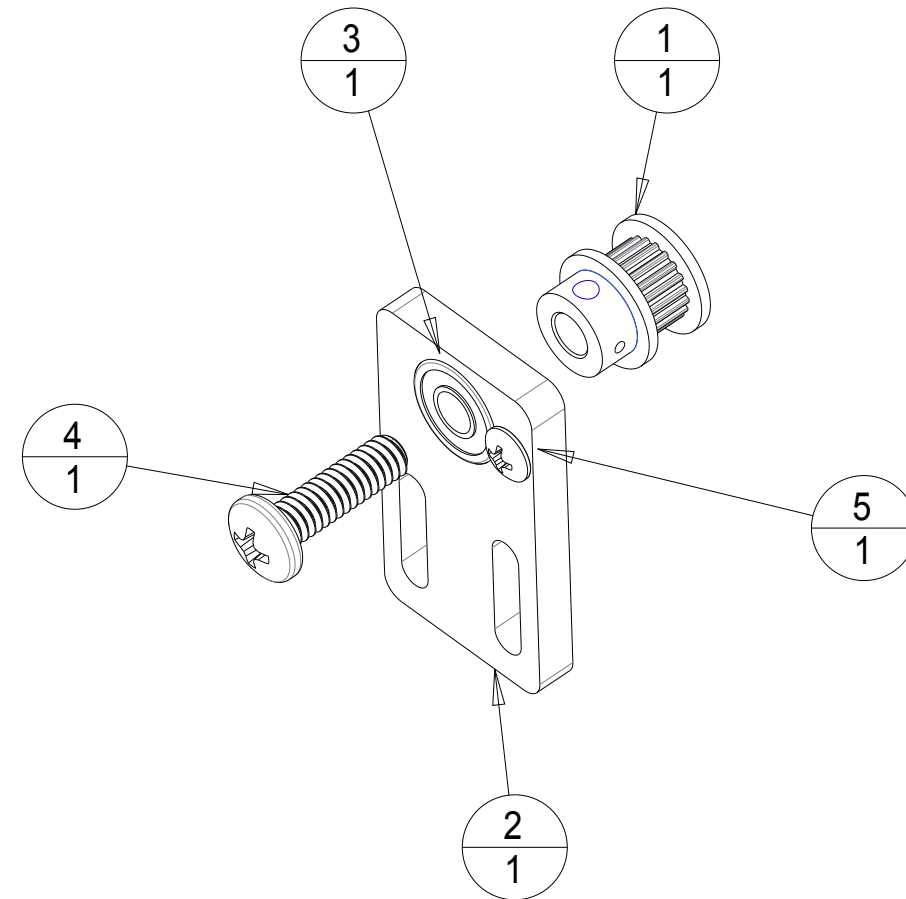


ITEM	PART NUMBER	QTY	DESCRIPTION
1	A6T16-020DF2508	1	Pulley MXL 20 Tooth 1/4 Shaft
2	B17012	1	Belt Tensioner
3	BEARING_25	1	BEARING .25 .625 .190
4	PHMS252007	1	Pan Head Machine Screw 1/4-20x7/8 Lg
5	THMS063204S	1	Truss Head Mach Screw #6-32 x 1/4

REVISIONS			
SYM	DESCRIPTION	BY	DATE
1	ORIGINAL	BJD	2/23/11



The work is licensed under a Creative Commons Attribution-Share Alike 3.0 License

DRAWN	BJD	2/23/11
CHECKER		
MECH. ENGR.		
ELEC. ENGR.		
PROJ. ENGR.		
CHIEF ENGR.		

Belt Tensioner	
SCALE	

 www.buildlog.net
B30022
SHEET 1 OF 1